

View Website

# ShoreLite Modular

**SIMPLE ROBUST ALUMINUM**



## **MAKES SPOT REPAIRS EASY**

The **ShoreLite Modular aluminum shielding** / shoring system is built strong yet light enough to be assembled by hand. Simple modular components assemble quickly into a shoring system for spot repairs or trench lining.

## **EASY TRANSPORTATION**

This lightweight modular system can easily be broken down into the back of a pickup truck for one time use, or transported on a commercial truck.

## **FAST ASSEMBLY**

Easy to assemble and fast to install. Your choice of Single or Double 2.5" stackable profile panels come in variable lengths. Two men without assistance of a tractor backhoe can easily handle assembly, making this a must to have addition to your trench safety equipment.

## **Accessories**

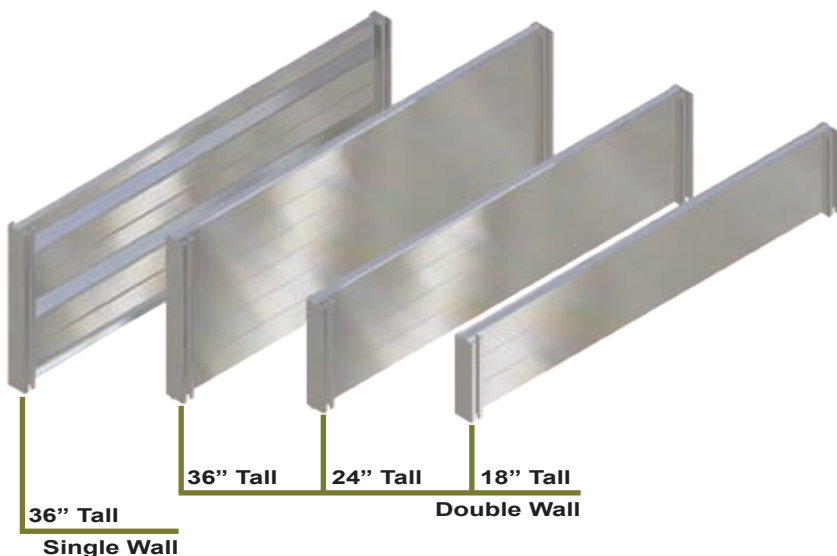
**Struts - Aluminum Spreaders, Steel Spreaders, Steel Spreader Adjusters, Steel Screw Struts, and Hydraulic Struts**

**Panel Connector - A new Lite Duty & Medium Duty Panel Connector.**

**Push Pads - Solid steel Push Pad is great for pushing your box firmly in the trench.**

**Horizontal Panels- Your choice of panels**

Height	Type
18"	Double Wall
24"	Double Wall
36"	Double Wall
36"	Single Wall

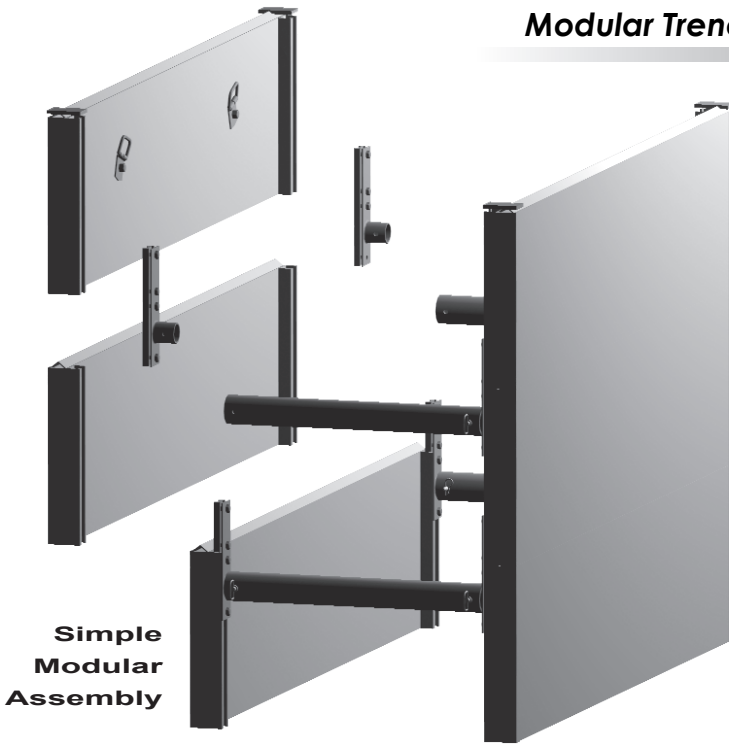


**Kits come equipped with standard required connectors**

4' Tall Kits require 4 Spreaders, Screw Struts, Hydraulic Struts, or 8 Square Connectors  
6' Tall Kits require 6 Spreaders, Screw Struts, Hydraulic Struts, or 12 Square Connectors

Manufactured by

# **Kundel**



**Modular clamping panel system**

Simple modular components that assemble quickly. Perfect for every city, contractor or local utility company. When the system is broken down, you can easily load it up in the back of your pick-up or utility van for quick emergency spot repair, tap-in or use it as a Pipe pushing Pit. ShoreLite Modular's new innovated design now can incorporate TrenShore's hydraulic strut in place of your standard spreaders.

Note: ShoreLite modular system must be assembled before use.

**2' ShoreLite Kit**



- 2 Aluminum Panels
  - 4 Panel Connectors
  - 4 Tamping Plates
- (Spreaders not included)

Side Wall Set	Wgt.
SLP - 2' X 4' - M	129 LB.
SLP - 2' X 6' - M	180 LB.
SLP - 2' X 8' - M	206 LB.
SLP - 2' X 10' - M	232 LB.

**4' ShoreLite Kit**



- 4 Aluminum Panels
  - 8 Panel Connectors
  - 4 Tamping Plates
- (Spreaders not included)

Side Wall Set	Wgt.
SLP - 4' X 4' - M	280 LB.
SLP - 4' X 6' - M	300 LB.
SLP - 4' X 7' - M	326 LB.
SLP - 4' X 8' - M	366 LB.
SLP - 4' X 10' - M	420 LB.

**6' ShoreLite Kit**



- 6 Aluminum Panels
  - 12 Panel Connectors
  - 4 Tamping Plates
- (Spreaders not included)

Side Wall Set	Wgt.
SLP - 6' X 4' - M	409 LB.
SLP - 6' X 6' - M	480 LB.
SLP - 6' X 7' - M	532 LB.
SLP - 6' X 8' - M	598 LB.
SLP - 6' X 10' - M	703 LB.

**8' ShoreLite Kit**



- 8 Aluminum Panels
  - 12 Panel Connectors
  - 4 Tamping Plates
- (Spreaders not included)

Side Wall Set	Wgt.
SLP - 8' X 4' - M	409 LB.
SLP - 8' X 6' - M	480 LB.
SLP - 8' X 7' - M	532 LB.
SLP - 8' X 8' - M	598 LB.
SLP - 8' X 10' - M	890 LB.

Spreaders Sold Separately

**Accessories**

- Spreaders - choice of Steel or Aluminum Spreaders 18" to 120"
- Spreader Adjusters - in addition to standard spreaders, adding 2' of adjustment every 6"
- Screw Struts - 24" spacer in place of aluminum panel for utility crossing or T-connection
- Hydraulic Strut - New Hydraulic Struts now available for ShoreLite Modular System
- Polyester Slings - 5' and 8' legs with 60 degree rating of 900 - 18,200 lb.

Call or visit us online for a complete list of accessories

ALL INFORMATION SUBJECT TO CHANGE WITHOUT NOTICE.

